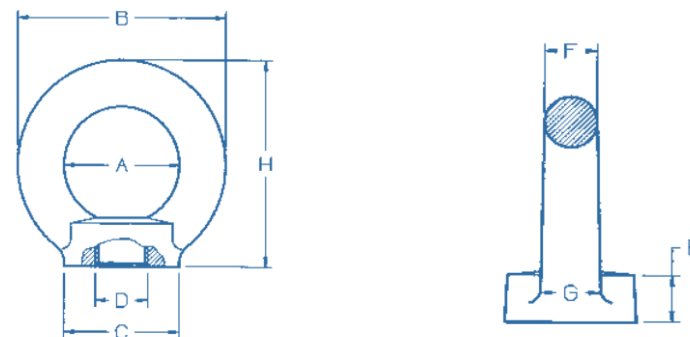




HUVYK SPOL. S. R. O.
 P. O. Hviezdoslava 843/22
 018 51 Nová Dubnica
 tel.: +421 42 44 311 82
 mail: info@huvyk.sk



Názov produktu: Matica s okom

Norma: DIN 582

Materiál: Liatina C15 E

Veľkosť mm	Menovité rozmery (mm)								Hmotnosť kg/ks	Pracovné zaťaženie	Pracovné zaťaženie kg pri 45°	Zaťaženie v kg pri 90° horizontálne	Povrch
	A	B	C	E	F	G	H						
M6	20,0	36,0	20,0	8,5	8,0	10,0	36,0		0,06	90	60	45	Pozinkované
M8	20,0	36,0	20,0	8,5	8,0	10,0	36,0		0,06	140	100	70	
M10	25,0	45,0	25,0	10,0	10,0	12,0	45,0		0,11	230	170	115	
M12	30,0	54,0	30,0	11,0	12,0	14,0	53,0		0,17	340	240	170	
M14	30,0	54,0	30,0	11,0	12,0	14,0	53,0		0,17	500	350	250	
M16	35,0	63,0	35,0	13,0	14,0	16,0	62,0		0,31	700	500	350	
M18	35,0	63,0	35,0	13,0	14,0	16,0	62,0		0,48	930	650	465	
M20	40,0	72,0	40,0	16,0	16,0	19,0	71,0		0,48	1200	860	600	
M24	50,0	90,0	50,0	20,0	20,0	24,0	90,0		0,90	1800	1290	900	
M27	54,0	98,0	62,0	22,0	22,0	26,0	99,0		1,25	2500	1830	1250	
M30	60,0	108,0	65,0	25,0	24,0	28,0	109,0		1,70	3200	2300	1600	
M33	60,0	108,0	65,0	25,0	24,0	28,0	109,0		1,90	4200	3050	2100	
M36	70,0	126,0	75,0	30,0	28,0	32,0	128,0		2,15	4600	3300	2300	
M39	80,0	144,0	85,0	35,0	32,0	38,0	147,0		4,00	6000	4400	3000	
M42	80,0	144,0	85,0	35,0	32,0	38,0	147,0		4,15	6300	4500	3150	
M45	90,0	166,0	100,0	40,0	38,0	46,0	168,0		6,10	7800	5500	3900	
M48	90,0	166,0	100,0	40,0	38,0	46,0	168,0		6,20	8600	6100	4300	
M52	100,0	184,0	110,0	45,0	42,0	50,0	187,0		8,60	9900	7100	4950	
M56	100,0	184,0	110,0	45,0	42,0	50,0	187,0		8,80	11500	8200	5750	
M64	110,0	206,0	120,0	50,0	48,0	58,0	208,0		12,40	16000	11000	8000	