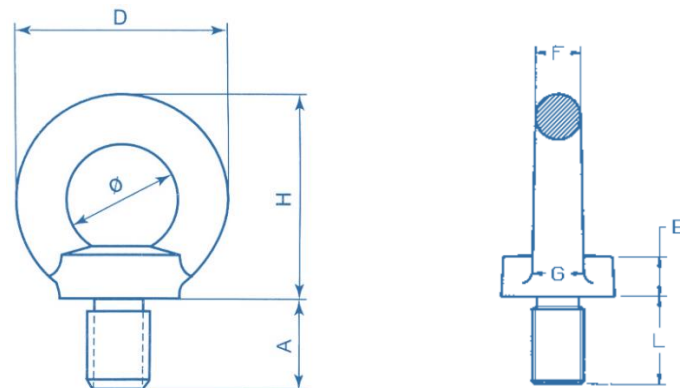




**HUVYK SPOL. S. R. O.**  
P. O. Hviezdoslava 843/22  
018 51 Nová Dubnica  
tel.: +421 42 44 311 82  
mail: info@huvyk.sk



**Názov produktu: Skrutka s okom**

**Norma: DIN 580**

**Materiál: Liatina C15**

Veľkosť mm	Menovité rozmery (mm)												Hmotnosť kg/ks	Pracovné zaťaženie	Pracovné zaťaženie kg pri 45°	Zaťaženie v kg pri 90° horizontálne	Povrch	
	D	Ø	H	A/L	E	F	G											
M6	36,0	20,0	36,0	13,0	6,0	8,0	10,0							0,06	90	60	45	Pozinkované
M8	36,0	20,0	36,0	13,0	6,0	8,0	10,0							0,06	140	100	70	
M10	45,0	25,0	45,0	17,0	8,0	10,0	12,0							0,11	230	170	115	
M12	54,0	30,0	53,0	20,5	10,0	12,0	14,0							0,17	340	240	170	
M14	54,0	30,0	53,0	20,5	10,0	12,0	14,0							0,17	500	350	250	
M16	63,0	35,0	62,0	27,0	12,0	14,0	16,0							0,31	700	500	350	
M18	63,0	35,0	62,0	27,0	12,0	14,0	16,0							0,48	930	650	465	
M20	72,0	40,0	71,0	30,0	14,0	16,0	19,0							0,48	1200	860	600	
M24	72,0	40,0	90,0	36,0	18,0	20,0	24,0							0,90	1800	1290	900	
M27	90,0	50,0	99,0	40,0	20,0	22,0	26,0							1,25	2500	1830	1250	
M30	98,0	54,0	109,0	45,0	22,0	24,0	28,0							1,70	3200	2300	1600	
M33	108,0	60,0	128,0	45,0	22,0	24,0	28,0							1,90	4200	3050	2100	
M36	108,0	60,0	109,0	54,0	26,0	28,0	32,0							2,15	4600	3300	2300	
M39	126,0	70,0	147,0	63,0	30,0	32,0	38,0							4,00	6000	4400	3000	
M42	144,0	80,0	147,0	63,0	30,0	32,0	38,0							4,15	6300	4500	3150	
M45	166,0	90,0	168,0	68,0	35,0	38,0	46,0							6,10	7800	5500	3900	
M48	166,0	90,0	168,0	68,0	35,0	38,0	46,0							6,20	8600	6100	4300	
M52	184,0	100,0	187,0	78,0	38,0	42,0	50,0							8,60	9900	7100	4950	
M56	184,0	100,0	187,0	78,0	38,0	42,0	50,0							8,80	11500	8200	5750	
M64	206,0	110,0	208,0	90,0	42,0	48,0	58,0							12,40	16000	11000	8000	